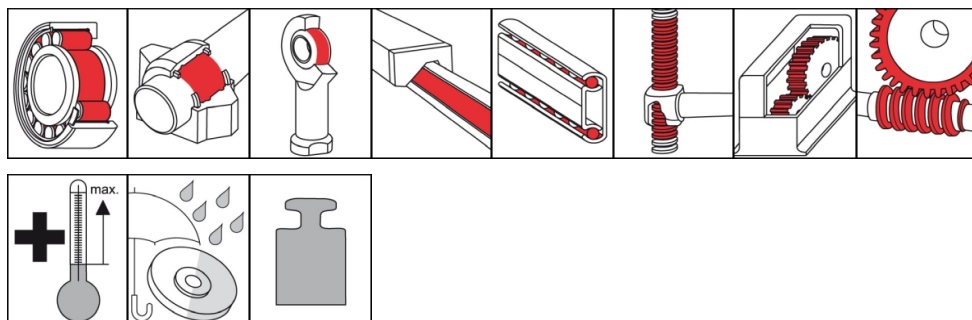


OKS 424

High-Temperature Grease, synthetic



Description

Synthetic grease for bearing points subject to extremely high temperatures and corrosive environmental influences.

Applications

- Lubrication of rolling and friction bearings subjected to high temperatures, corrosive environmental influences
- Lubrication of bearing points at furnace, cooling-bed and conveyor systems, motors and hot-air fans that are subjected to temperature stress
- Suitable for lubricating exhaust-gas fans

Branches

- Plant and machine (tool) engineering
- Glass and foundry industry
- Rail vehicle technology
- Municipal services
- Paper and packaging industry
- Chemical industry
- Logistics
- Shipbuilding and marine technology
- Iron and steel industry
- Rubber and plastic processing

Advantages and benefits

- Reduces wear and friction
- Good corrosion protection
- Excellent temperature resistance
- When operating temperature is exceeded, forms only minimal residues
- Good plastic and elastomer compatibility
- Good resistance against water influence and aggressive environmental influences

Application tips

For optimum effect, carefully clean the lubricating point, for example with OKS 2610/OKS 2611 universal cleaner. Before filling for first time, remove anti-corrosion agent. Fill the bearing such that all functional surfaces are certain of being greased. Fill normal bearings up to about 1/3 of the free space inside the bearing. Low-speed bearings (DN value < 50,000) and their housings should be filled completely. The bearing and machine manufacturer's instructions should be observed. Subsequent lubrication at the lubrication nipples by grease gun or by automatic lubrication system. Assess the lubrication frequency and quantity on basis of service conditions. If old grease cannot be removed, restrict the quantity of grease so as to avoid overlubricating the bearing. If lubrication frequencies tend to be low, you should aim for a full grease change. Only mix with suitable lubricants.

Packaging

- 400 ml Cartridge
- 1 kg Can
- 5 kg Hobbock
- 25 kg Hobbock
- 180 kg Drum

OKS 424

High-Temperature Grease, synthetic

Technical data

	Standard	Conditions	Unit	Value
Main components				
base oil				polyalphaolefine
thickener				polycarbamide
Application related technical data				
marking	DIN 51 502			KHC1-2S-40
viscosity at (40°C)	DIN 51 562-1	base oil	mm ² /s	400
viscosity at (100°C)	DIN 51 562-1	base oil	mm ² /s	40
drop point	DIN ISO 2176		°C	> 230
consistency	DIN 51 818	DIN ISO 2137	NLGI grade	1-2
worked penetration	DIN ISO 2137	60 double strokes	0.1 mm	280-310
lower operating temperature	DIN 51 805	≤ 1,400 hPa	°C	-30
upper operating temperature			°C	200
maximal operating temperature			°C	230
colour				beige
density (at 20°C)	DIN EN ISO 3838		g/cm ³	0.85
water resistance	DIN 51 807-1	3h/90°C	Degree	0-90
DN value (dm x n)			mm/min	500,000
SKF-EMCOR	DIN 51 802		corr. degree	1

OKS Spezialschmierstoffe GmbH

Ganghoferstraße 47
 82216 Maisach
 +49 8142 3051 - 500
 info@oks-germany.com
 www.oks-germany.com



The information in this publication reflects state-of-the-art technology, as well as extensive testing and experience. Due to the diversity of possible applications and technical realities, they can only serve as recommendations and are not arbitrarily transferable. Therefore, no obligations, liability or warranty claims can be derived from them. We only accept liability for the suitability of our products for particular purposes, and for certain properties of our products, in the event that we have accepted such liability in writing in the individual case. Any case of justified warranty claims shall be limited to the delivery of replacement goods free of defects, in the event that this subsequent improvement fails, to reimbursement of the purchase price. Any and all further claims, in particular the liability for consequential injuries or damage, shall always be excluded. Prior to use, the customer must conduct its own testing to prove suitability. The data are subject to change for the sake of progress. ® = Registered trademark
Product restricted to professional users. Safety data sheet available for download at www.oks-germany.com
 Our Customer and Technical service will be pleased to help should you have any further questions.